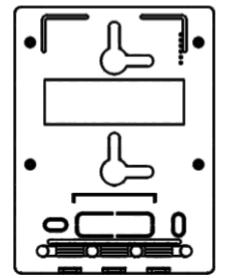


...step by step

1. Installing the receiver bracket



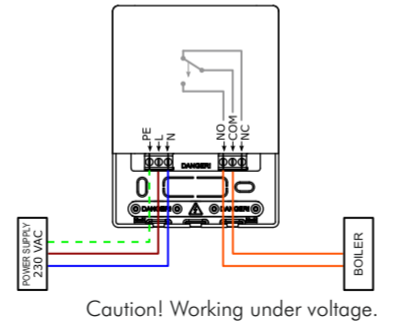
Install 2 screws on the wall, where the distance between screws should be 5 cm. Position the back plastic of the device in a way that two openings lay onto the screws. Pull the device down or right depending on the way you want to place it until it is tightly secured.



2. Receiver wiring: Example 1



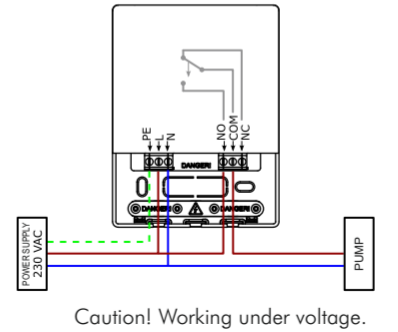
After removing the plastic piece at the bottom of the base, the wires can be connected. Connect L (phase) and N (neutral) to terminals L and N to power the base. Diagram of connecting the base to the heating system interface:



3. Receiver wiring: Example 2



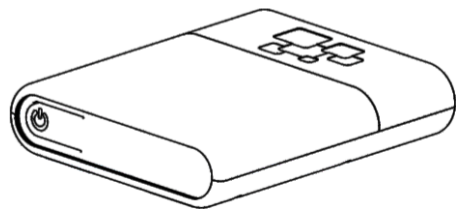
Connect L (Live) and N (Neutral) to terminals L and N for base power supply. Connection diagram of the base directly with elements of the heating system (e.g. pump, boiler, valve) or other energy consumers:



4. Setting up the receiver



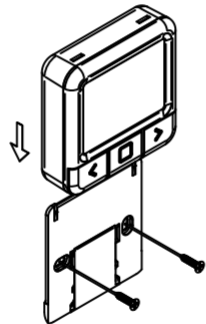
After connecting the wires and securing it with the additional plastic, slide back the lower plastic in place. Turn on the receiver and wait 10 seconds for yellow light to start blinking. After that press the middle button on thermostat for connection to be made.



5. Installing the bracket for the thermostat



Separate the bracket from the thermostat and place it at a height from 1.5 m.



⚠ Warning: the maximum range is 50 m.

6. Installing batteries



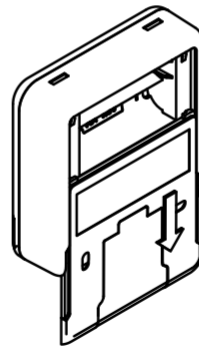
Place 2 x AA batteries in the battery compartment.



7. Installing the thermostat




Place the thermostat on the bracket and check that they are thermostat and bracket properly assembled.



8. Checking the communication between thermostat and receiver



- ▶ Be sure that the symbol  on the thermostat display is not flashing.
- ▶ Adjust the temperature of the thermostat so that heating is activated. Check that the red light on the receiver is on. If the heating is off then the green light on the receiver will be on. In case of lost communication the light on the receiver will start blinking yellow.